

**jazwares™**

**Boombox**

**USER GUIDE**

© Jazwares, Inc. 2010

# CONTENTS

Please read the instructions along with the boombox carefully before you use it, so that you can operate it conveniently.

WELCOME & Warnings	3
Important Safety Instructions	4-5
Boombox Controls	6
Using You Boombox	7-8
Using The Radio	7
Using MP3/Aux In Connection	7
Using Stereo Headphone Jack	7
Playing a CD	8
Programming The CD Player	8
Care and Maintenance	9
Specifications	10
Notes	11
Warranty	12-13

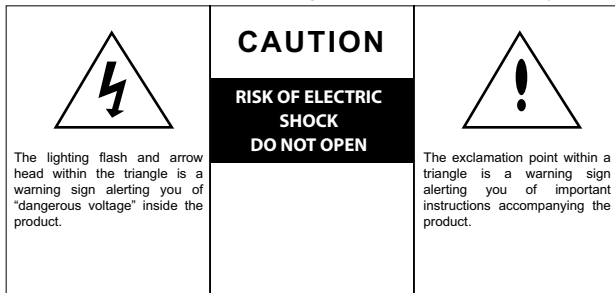
## Included in box:

- Boombox
- AC Cord
- User Guide and Warranty

Congratulations on your purchase of the Boombox!  
We hope you enjoy all the great features. To get the most out of your Boombox please read this manual as it provides tips and information about its various features.

## **WARNINGS:**

To reduce the risk of fire or electric shock, do not expose this appliance to rain or moisture. Dangerous high voltages are present inside the enclosure. Do not open the cabinet refer servicing to qualified personnel only.



The Caution marking is located at the bottom of the unit.

### **CAUTION:**

PLEASE READ AND OBSERVE ALL WARNINGS AND INSTRUCTIONS GIVEN IN THIS OWNER'S MANUAL AND THOSE MARKED ON THE UNIT, KEEP THESE INSTRUCTIONS. RETAIN THIS BOOKLET FOR FUTURE REFERENCE.

This set has been designed and manufactured to assure personal safety. Improper use can result in electric shock or fire hazard. The safeguards incorporated in this unit will protect you if you observe the following procedures for installation, use and servicing. This unit does not contain any parts that can be repaired by the user.

**DO NOT REMOVE THE CABINET COVER, OR YOU MAY BE EXPOSED TO DANGEROUS VOLTAGE. REFER SERVICING TO QUALIFIED SERVICE PERSONNEL ONLY.**

### **WARNING:**

- Do not mix old and new batteries
- Do not mix alkaline, standard (carbon-zinc), or re-chargeable (nickel-cadmium) batteries.

# Important Safety Instructions:

---

1. Read these instructions.
2. Keep these instructions.
3. Heed all Warnings.
4. Follow all instructions.
5. Do not use this apparatus near water.
6. Clean only with a dry cloth.
7. Do not block any ventilation openings. Install in accordance with the manufacturer's instructions.
8. Do not install near any heat sources such as radiators, heat registers, stoves or other apparatus (including amplifiers) that produce heat.
9. Do not defeat the safety purpose of the polarized or grounding type plug. A polarized plug has two blades with one wider than the other. A grounding type plug has two blades and a third grounding prong. The wide blade or the third prong are provided for your safety. When the provided plug does not fit into your outlet, consult an electrician for replacement of the obsolete outlet.
10. Protect the power cord from being walked on or pinched particularly at plugs, convenience receptacles, and the point where they exit from the apparatus.
11. Only use attachments / accessories specified by the manufacturer.
12. Use only with a cart, stand, tripod, bracket or table specified by the manufacturer, or sold with the apparatus. When a cart is used, use caution when moving the cart / apparatus combination to avoid injury from tip-over.



13. Unplug this apparatus during lightning storms or when unused for long periods of time.
14. Refer all servicing to qualified service personnel. Servicing is required when the apparatus has been damaged in any way, such as power-supply cord or plug is damaged, liquid has been spilled or objects have been fallen into the apparatus, the apparatus has been exposed to rain or moisture, does not operate normally, or has been dropped.

# CAUTION

## CLASS 1 LASER PRODUCT

CLASS 1 LASER PRODUCT  
APPAREIL LASER DE CLASSE 1  
PRODUCTO LASER DE CLASE 1

CAUTION  
INVISIBLE LASER RADIATION  
WHEN OPEN AND INTERLOCKS  
DEFEATED.  
AVOID EXPOSURE TO BEAM



This product contains a low power laser device.

Follow the advice below for safe operations.

### ON PROTECTION AGAINST LASER ENERGY EXPOSURE

- As the laser beam used in this compact disc player is harmful to the eyes, do not attempt to disassemble the casing.
- Stop operation immediately if any liquid or solid object should fall into the cabinet.
- Do not touch the lens or poke at it. If you do, you may damage the lens and the player may not operate properly.
- Do not put anything in the safety slot. If you do, the laser diode will be ON when the CD door is still open.
- If the unit is not to be used for a long period of time, make sure that all power sources are disconnected from the unit. Remove all batteries from the battery compartment, and unplug the AC cord from the wall outlet. Make it a practice to remove the AC cord by grasping the main body and not by pulling the cord.
- This unit employs a laser. The use of controls or adjustment or performance of procedures other than those specified here may result in exposure to hazardous radiation.

### ON PLACEMENT

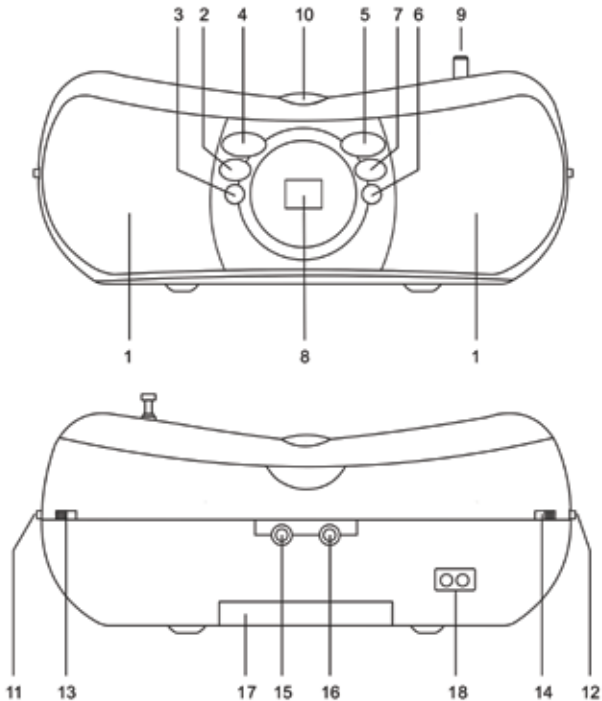
- Do not use the unit in places where are extremely hot, cold, dusty or humid.
- Place the unit on a flat and even surface.
- Do not restrict the air-flow of the unit by placing it in a place with poor ventilation, by covering it with a cloth or by placing it on a carpet.

### ON CONDENSATION

- When left in a heated room where it is warm and damp, water droplets or condensation may form inside the unit.
- When there is condensation inside the unit, the unit may not function normally.
- Let it stand for 1 to 2 hours before turning the power on, or gradually heat the room up and dry the unit before use.

Should any trouble occur, remove the power source and refer servicing to qualified personnel.

# Boombox Controls:



1. Speakers
2. CD skip next button
3. CD skip previous button
4. CD stop button
5. CD play/pause button
6. CD program button

7. CD repeat button
8. LED track display
9. Antenna
10. CD compartment
11. Tuning control
12. Volume control

13. Band selector
14. Function selector
15. Phones jack
16. Aux-in jack
17. Battery terminal
18. AC socket

## **Using Your Boombox:**

---

### **• AC OPERATION**

Connect the plug to the AC SOCKET of the unit and the other end to a standard AC outlet.

### **ATTENTION**

1. Do not plug or unplug the power cable while you have wet hands.
2. When planning not to use this unit for a long time, disconnect the power cable from the wall outlet.
3. When disconnecting the power cord from the wall outlet, do not pull on the cord in order to avoid shock risks caused by damaged cable.

### **• BATTERY OPERATION**

Disconnect the AC cord set completely. Open the battery compartment door and insert 6 pieces UM-2 "C" size batteries into the battery compartment with battery polarity as shown inside the battery compartment. (Batteries not included)

## **Using The Radio:**

---

1. Slide the FUNCTION SELECTOR to RADIO position.
2. Slide the BAND SELECTOR to AM or FM position.
3. Turn the TUNING CONTROL to your desired radio station.
4. Adjust the sound level by rotating the VOLUME CONTROL.

For best reception, fully extend the FM antenna to receive FM stations. For AM reception, the unit has a built-in antenna, turn the whole unit for best reception.

## **Using MP3/Aux In Connection:**

---

1. Insert one side of the audio cable (requires 3.5mm stereo plug, not included) into the line-out jack or phones jack on your MP3 player and the other side to the AUX-IN JACK on the unit.
2. Turn on the unit and slide the FUNCTION SELECTOR to AUX/OFF position.
3. Turn on your MP3 player and follow the playback instruction.
4. To stop this function, simply turned off your MP3 player.

## **Using Stereo Headphone Jack:**

---

For private listening, insert the plug of a stereo headphone into the PHONES JACK and adjust the volume control accordingly. During the use of a headphone, the speakers are automatically disconnected.

## Playing a CD:

---

1. Set the FUNCTION SELECTOR to the CD position.
2. Insert the CD with the printed side facing up and close the CD door.
3. The total number of tracks in the entire CD will appear on the LED display.
4. To start playing the CD, press the PLAY/PAUSE button.
5. Adjust the VOLUME CONTROL to the desired volume level.
6. To stop playing the CD, press the STOP button.

### To skip tracks:

1. During play or pause mode, press the SKIP NEXT button will go to the next track.
2. During play or pause mode, press the SKIP PREVIOUS button will go back to the beginning of the track.
3. After step 2, press the SKIP PREVIOUS button again will go back to the previous track.

## Programing the CD Player:

---

The programming of the CD player should be done during STOP mode.

1. Press the PROGRAM button, the LED display will show '01' and flash continuously.
2. Press the SKIP NEXT or SKIP PREVIOUS buttons to select the desired track.
3. Press the PROGRAM button again to store this track in memory, the LED will show '02' and flash continuously.
4. Repeat steps from 2 to 3 to store more tracks in memory. You can store up to 20 tracks in the memory.
5. Press the PLAY/PAUSE button to play the disc in the programmed order.
6. To stop playing, press the STOP button.
7. To cancel the programming list, press the STOP button and open the CD door or select a different function (AUX/OFF or RADIO).

### Repeat Mode

Repeat 1: Press the REPEAT button once, the repeat LED indicator will light and flash continuously. This single track will be repeated.

Repeat All: Press the REPEAT button twice, the repeat LED indicator will stay lighted. The whole disc will be played continuously.

To Cancel Repeat Function: Press the REPEAT button until the lighted repeat LED indicator turned off.



## Care and Maintenance:

---

- Always turn off the unit after use.
- Keep the unit away from magnetic objects, water or heat sources.
- Use a clean soft cloth moistened with lukewarm water to clean the cabinet. Never use chemical cleaners that could damage the finish of the unit.
- Never touch the CD pickup and lens. If fingerprints get on the pickup lens, clean it gently with a commercial lens cleaner.
- Disconnect the unit from any power sources before cleaning.
- To remove a disc from its storage case, press down on the centre of the case and lift the disc out, holding it carefully by the edges.
- Fingerprints and dust should be carefully wiped off the disc's recorded surface with a soft cloth. Unlike conventional records, compact discs have no grooves to collect dust and microscopic debris so gently wiping with a soft cloth should remove most particles. Wipe in a straight line from the inside to the outside of the disc. Small dust particles and light stains will have absolutely no effect on reproduction quality.
- Never use chemicals such as record sprays, anti-static sprays, benzene or thinners to clean compact discs. These chemicals can irreparably damage the disc's surface.
- Discs should be returned to their cases after use. This avoids serious scratches that could cause the Laser pickup to skip.
- Do not expose discs to direct sunlight, high humidity, or high temperatures for extended periods. Long exposure to high temperatures can warp the disc.
- Do not stick paper or write anything with a ballpoint pen on the label side of the disc.

## Specifications:

---

Frequency Range	AM 530 - 1720 KHz FM 88 - 108 MHz
Power Supply	AC 120V ~ 60Hz 13W DC 9V (UM-2 x 6)

- CD, CD-R, CD-RW Playback
- Top Loading CD Player
- LED Display
- Works with MP3 Player
- Headphones Jack
- Aux In Connection

---

**Need More Help?**

**Do Not Return Item to Store.**

Call **1-800-370-1827** and speak to a customer service representative.

## NOTES:

---



This equipment has been tested and found to comply with the limits for a Class B digital device, pursuant to Part 15 of the FCC rules.

These limits are designed to provide reasonable protection against harmful interference in a residential installation. This equipment generates, uses and can radiate radio frequency energy and, if not installed and used in accordance with the instructions, may cause harmful interference to radio communications.

However, there is no guarantee that interference will not occur in a particular installation. If this equipment does cause harmful interference to radio or television reception, which can be determined by switching the equipment off and on, the user is encouraged to try to correct the interference by one or more of the following measures:

Reorient or relocate the receiving antenna.

- Increase the separation between the equipment and receiver.
- Connect the equipment into an outlet on a circuit different from that to which the receiver is connected.
- Consult the dealer or an experienced radio/TV technician for help.

Complies to Canadian ICES-003

### **WARNING:**

Changes or modifications to this unit not expressly approved by the party responsible for compliance could void the user's authority to operate the equipment.

# Limited Ninety (90) Day Warranty:

## WARRANTY COVERAGE

Jazwares, Inc.'s warranty obligation is limited to the terms set forth below.

## WHO IS COVERED

Jazwares, Inc. warrants the product to the original purchaser or the person receiving the product as a gift against defects in material & workmanship as based on the date of the original purchase from an authorized dealer or retailer. The original sales receipt showing the product name & the purchase date from an authorized retailer is considered such proof.

## WHO IS COVERED

Jazwares, Inc. warranty covers new products if a mechanical defect arises & a valid claim is received within the Ninety (90) Day Warranty Period. At its option, Jazwares, Inc. will either (1) repair the product at no charge, using new or refurbished replacement parts, or (2) exchange the product with a product that is new or which has been manufactured from new, or serviceable used parts & is at least functionally equivalent or most comparable to the original product in Jazwares, Inc.'s inventory, or (3) refund the original purchase price of the product.

Jazwares, Inc. warrants replacement products or parts provided under this warranty against defects in materials & workmanship from the date of the replacement or repair for ninety (90) days or for the remaining portion of the original product's warranty, whichever provides longer coverage for you. When a product or part is exchanged, any replacement item becomes your property and the replaced item becomes Jazwares, Inc. property. If a refund is granted, your product becomes Jazwares, Inc. property.

**Replacement product can only be sent if all warranty requirements are met.**

**Failure to follow all requirements can result in delay.**

## WHAT IS NOT COVERED - EXCLUSIONS & LIMITATIONS

The limited warranty applies only to the products manufactured by or for Jazwares, Inc. that can be identified by the trademark, trade name, or logo affixed to it. This limited warranty does not apply to any non Jazwares, Inc. hardware product or any software, even if packaged or sold with the product. Non Jazwares, Inc. manufacturers, suppliers, or publishers may provide a separate warranty for their own products packaged with the bundled product. Jazwares, Inc. is not liable for any damage to or loss of any programs, data or other information stored on any media contained within the product, or any non - Jazwares, Inc. product or part not covered by this warranty.

# Limited Ninety (90) Day Warranty:

## WHAT IS NOT COVERED - EXCLUSIONS & LIMITATIONS

This warranty does not apply

- (a) to damage caused by accident, abuse, misuse, misapplication, or non - Jazwares, Inc. product,
- (b) to damage caused by service performed by anyone other than Jazwares, Inc.
- (c) to a product or a part that has been modified without the written permission of Jazwares, Inc.

## LIMITED WARRANTY DOES NOT COVER

- Shipping charges to return defective product to Jazwares, Inc.
- Product repair and/or part replacement because of improper installation, connections to improper voltage supply, abuse, neglect, accident, unauthorized repair or other cause not within the control of Jazwares, Inc.
- Damage or claims for products not being available for use, or for lost data or lost software.
- Damage occurring to product during shipping.
- A product that requires modification or adaptation to enable it to operate in any country other than the country for which it was designed, manufactured approved and/or authorized, or repair of products damaged by these modifications.
- Product lost in shipment and no signature verification receipt can be provided.
- Failure to operate per Owner's Manual.

## RMA REQUIREMENT

If Jazwares, Inc.'s Customer Service verifies that the product is defective, the Return Authorization Department will issue an RMA number to be placed on the outer package of the product. Jazwares, Inc. can not accept any product that does not include an RMA number on the package.

BEFORE RETURNING ANY PRODUCT, CONTACT JAZWARES, INC. CUSTOMER SERVICE. Customer service is available 9-6 EST at 1-800-370-1877.

REPAIR OR REPLACEMENT AS PROVIDED UNDER THIS WARRANTY IS THE EXCLUSIVE REMEDY FOR THE CONSUMER. JAZWARES, INC. SHALL NOT BE LIABLE FOR ANY INCIDENTAL OR CONSEQUENTIAL DAMAGES FOR BREACH OF ANY EXPRESS OR IMPLIED WARRANTY ON THIS PRODUCT. EXCEPT TO THE EXTENT PROHIBITED BY APPLICABLE LAW, ANY IMPLIED WARRANTY OF MERCHANTABILITY OR FITNESS FOR A PARTICULAR PURPOSE ON THIS PRODUCT IS LIMITED IN DURATION TO THE DURATION OF THIS WARRANTY.

Some states do not allow exclusions or limitation of incidental or consequential damages, or allow limitations on how long an implied warranty lasts, so the above limitations or exclusions may not apply to you

This warranty gives you specific legal rights. You may have other rights which vary from state to state. This warranty is only valid in the United States of America.

© Jazwares, Inc.

# Boombox

Jazwares Inc.  
555 Sawgrass Corporate Parkway  
Sunrise, FL 33325

## USER GUIDE

© Jazwares, Inc. 2010

BLV3B

