

Congratulations on your purchase of the *Star Wars* Spywear, Night Vision Goggles. To get the most out of your Night Vision Goggles, please read this manual as it will explain how to properly and safely operate this product.

## Safety Tips

- Use this only as intended
- To prevent fire or shock hazard, do not expose this unit to rain or moisture
- Do not submerge the unit in any liquid
- Do not disassemble

### WARNING:

All of the packaging such as tape, plastic sheets, wire ties, stickers, and tags are not part of this toy and should be discarded for your child's safety. Retain package for future reference as it contains important information. Conforms to toy safety standards HR4040 (CPSIA) and ASTM F963

## How It Works

The Night Vision Goggles consist of one set of goggles with an adjustable head band and includes a detachable, electronic LED Tactical Light as shown in (Figure A).

Wearing the Night Vision Goggle is simple, slide the goggle over your head and adjust the strap so the unit fits comfortably on your face. Now you can view the world in a new color through the Night Vision Goggle's tinted lens. Need more light, reach up and turn on the mini detachable Tactical Light and experience it's glowing white LED. The Tactical Light can be used as a hand held unit, or stay attached to the goggles for hands free use.

Figure A:  
Night Vision Goggles

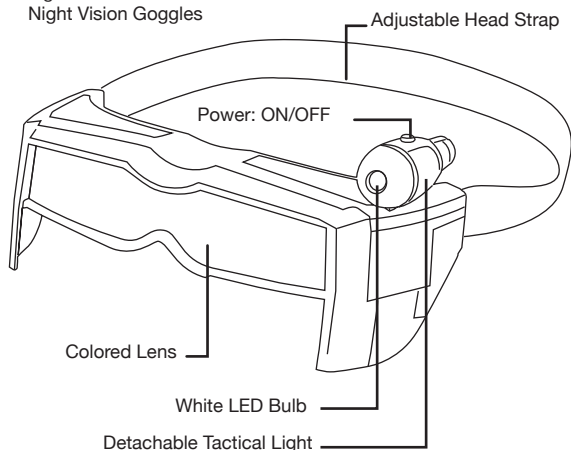
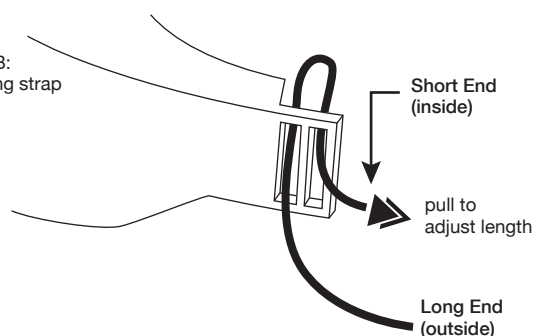


Figure B:  
Adjusting strap



## Troubleshooting

Why doesn't my mini LED tactical light turn on?

Make sure batteries are properly inserted in the battery compartment and are in good working condition.

1. Locate the battery compartment on the mini LED Tactical Light.
2. Open the battery compartment and remove old batteries.
3. Insert three fresh LR44 Batteries with correct polarity into the battery compartment.
4. Replace the battery door.

Unit is now ready for operation.

**Need More Help? Do Not Return Item to Store.**

Call 1-800-370-1827 and speak to a customer service representative.

## Battery Information

Requires 3 x LR44 batteries (included)

### BATTERY WARNING:

- Replacement of batteries must be done by an adult
- Do not mix old and new batteries
- Do not mix alkaline, standard (carbon-zinc) batteries or rechargeable nickel-cadmium batteries
- Non-rechargeable batteries are not to be recharged
- Rechargeable batteries are only to be charged under adult supervision
- Rechargeable batteries are to be removed from the toy before being charged
- Different types of batteries or new and used batteries are not to be mixed
- Batteries are to be inserted with the correct polarity
- Exhausted batteries are to be removed from the toy
- The supply terminals are not to be short-circuited
- Instructions for replacement of batteries

Please retain the information for future reference.

### BATTERY OPERATION:

Remove the mini LED from the Goggle unit. Locate the battery compartment on the mini LED tactical light. Open the battery compartment and insert 3 x LR44 Batteries (included) with correct polarity into the battery compartment. Replace the battery door. Unit is now ready for operation.

Figure A:  
Removing LED  
Tactical Light

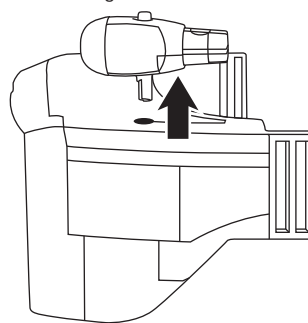


Figure B:  
Locate Battery  
Compartment

Remove the screw on the battery door with a small phillips screw driver.

Figure C:  
Open Battery  
Compartment

Battery Compartment  
Requires 3 X (LR44)  
Batteries (included)

## Specifications

### FCC Warning:

Any Changes or modifications not expressly approved by the party responsible for compliance could void the user's authority to operate the equipment.

This device complies with part 15 of the FCC Rules.

Operation is subject to the following two conditions:

- (1) This device may not cause harmful interference, and
- (2) this device must accept any interference received, including interference that may cause undesired operation.

This equipment has been tested and found to comply with the limits for a Class B digital device, pursuant to Part 15 of the FCC rules.

These limits are designed to provide reasonable protection against harmful interference in a residential installation. This equipment generates, uses and can radiate radio frequency energy and, if not installed and used in accordance with the instructions, may cause harmful interference to radio communications.

### Electronic Parameters:

Electronic parameters for the mini LED electric light:

Operating voltage: 4.5V (LR44 x 3)

Operating current: 20 mA

White LED: 1 pc

Battery capacity: 160mAh

Battery life: 8 hours @ estimate

### IMPORTANT:

Please save this instruction sheet. It contains valuable product information.