



jazwares™

Alarm Clock

USER GUIDE

© Jazwares, Inc. 2010

CONTENTS

Please read the instructions along with the alarm clock carefully before you use it, so that you can operate it conveniently.

WELCOME, Safety Tips & Battery Info	3
Alarm Clock Controls & Functions	4-5
Using Your Alarm Clock	6-8
Notes	9
Warranty	10-11

Included in box:

- Alarm Clock
- User Guide and Warranty

Congratulations on your purchase of the Skelanimals Alarm Clock! We hope you enjoy all the great features of the clock. To get the most out of your Alarm Clock please read this manual as it provides tips and information about its various features.

SAFETY TIPS:

- Use this only as intended.
- To prevent fire or shock hazard, do not expose this unit to rain or moisture.
- Do not submerge the unit in any liquid
- Do not disassemble

Battery Information:

Information: Requires 4 AA / 6 V batteries (not included).

Warning:

Replacement of batteries must be done by an adult.

Do not mix old and new batteries.

Do not mix the alkaline, standard (carbon-zinc) and rechargeable (nickel-cadmium) batteries.

The supply terminals are not to be short-circuited.

Non-rechargeable batteries are not to be recharged.

Exhausted batteries are to be removed.

Only batteries of the equivalent type are to be used.

Batteries are to be inserted with the correct polarity.

Dispose of batteries properly.

Do not dispose of batteries in fire ; batteries may explode or leak.

Battery Operation :

Remove the screw on the battery door with a screw driver.

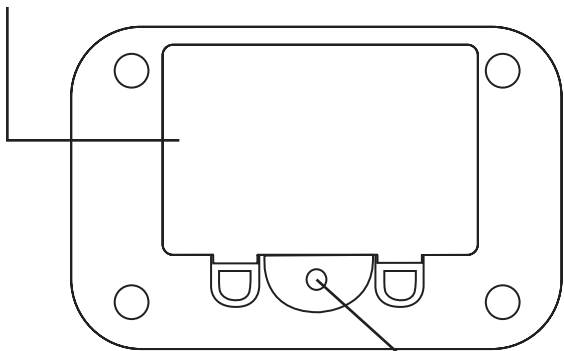
Open the battery door.

Insert 4 AA batteries with correct polarity into the battery compartment.

Close the battery door, and replace the screw on position.

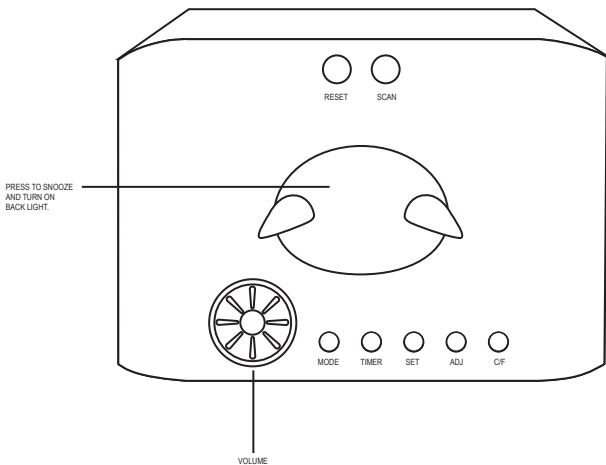
Battery Information:

Requires 4 AA / 6 V Batteries (not included)



Remove the screw on the battery door with a screw driver.

Alarm Clock Controls:



Volume : Adjust volume for sound : Turn radio function on/off

Mode : Adjust the display of the time or the alarm

Timer : Adjust the countdown timer

Set : Adjust your desired function

Adj : Up button in setting mode

C/F : Down button in setting mode : switch key of "Centigrade/Fahrenheit" in temperature mode

Reset : Return to the first station of the radio

Scan : Searching the radio's stations

Time Mode:

Under normal display, press SET button to enter setting state and change setting sequence : Under setting mode, press ADJ (up) or C/F (down) to adjust the hour, then press SET. The hour will set, and change to minute so minute can be adjusted.

▶ Hour → Minute → Year → Month → Date → Exit]

Setting range :

Year(2000-2099),Month(1-12),Date(1-31),Hour(1-12/1-24),Minute(0-59).

The week (Mon-Sun) will adjust automatically.

Under setting mode, press ADJ (up) or C/F (down) buttons to adjust setting. The clock will exit the setting and display the current time if there is no operation for 1 minute or the MODE button is pressed.

Under normal time display, press ADJ key to shift 12-hr/24-hr display.

(There are 2 types of time display, one is "hour: from 0 to 12 AM or PM" the other is "hour: from 0 to 24".

After you press the ADJ key, you can switch between these 2 time displays.)

Alarm & Snooze Mode:

Under normal time display, press MODE button to enter alarm and snooze function mode. Press SET button to enter alarm and snooze function setting state and change setting sequence:

▶ Hour → Minute → Snooze → Music → Exit]

Under setting mode, press ADJ (up) or C/F (down) to adjust settings or choose alarm music 1-8.

The clock will exit the setting and display the set alarm time if there is no operation for 1 minute or the MODE button is pressed.

Under alarm and snooze settings, the first time the ADJ button or C/F button is pressed the alarm is set. The second time the ADJ button or C/F button is pressed the snooze is set. The third time either of the buttons are pressed, both alarm and snooze are not set to go off.

The below icons on the screen can show the settings :

.))) : Alarm is on

)) & snooze : Alarm and snooze are both on (screen displays "snooze")

off : Alarm and snooze are both off (screen will be blank)

Alarm & Snooze Mode (cont.):

Press figure on the top to stop alarm sound.

To exit the alarm mode setting and return to normal time mode press the MODE button.

Timer Mode:

Press TIMER button to enter timer mode and the default '23:59:59' will be displayed. Press SET button to enter setting state and change setting sequence:

➤ Countdown state → Hour setting → Minute setting → Second setting □

Press ADJ (up) or C/F (down) buttons to adjust setting timer range. Hour 23-0, minute:59-0. Under setting state, press C/F key to adjust downwards setting. If no operation for one minute or press TIMER button, it will exit setting and display current time automatically.

Press TIMER button to start count down timer after setting. It will descend second by second until it reaches 00:00:00. When set time is finished, it will sound for 1 minute.

Press TIMER button again to pause or continue timer function. Under timer function state, press ADJ to reset the setting.

Temperature Mode:

Room temperature will be set automatically.

Press C/F key to shift between Centigrade and Fahrenheit display.

Press figure on top to switch the display of Centigrade/Fahrenheit.

Temperature range is : 0-50 (32-122).

Backlit Mode:

Press the figure on the top of the unit to turn on the back light.

Radio Mode:

Turn the Volume button clockwise to turn on and turn up the radio.

Turn the Volume button counterclockwise to turn down and turn off the radio.

Need More Help?

Do Not Return Item to Store.

Call **1-800-370-1827** and speak to a customer service representative.



This equipment has been tested and found to comply with the limits for a Class B digital device, pursuant to Part 15 of the FCC rules.

These limits are designed to provide reasonable protection against harmful interference in a residential installation. This equipment generates, uses and can radiate radio frequency energy and, if not installed and used in accordance with the instructions, may cause harmful interference to radio communications.

However, there is no guarantee that interference will not occur in a particular installation. If this equipment does cause harmful interference to radio or television reception, which can be determined by switching the equipment off and on, the user is encouraged to try to correct the interference by one or more of the following measures:

Reorient or relocate the receiving antenna.

- Increase the separation between the equipment and receiver.
- Connect the equipment into an outlet on a circuit different from that to which the receiver is connected.
- Consult the dealer or an experience radio/TV technician for help.

Limited Ninety (90) Day Warranty:

WARRANTY COVERAGE

Jazwares, Inc.'s warranty obligation is limited to the terms set forth below.

WHO IS COVERED

Jazwares, Inc. warrants the product to the original purchaser or the person receiving the product as a gift against defects in material & workmanship as based on the date of the original purchase from an authorized dealer or retailer. The original sales receipt showing the product name & the purchase date from an authorized retailer is considered such proof.

WHO IS COVERED

Jazwares, Inc. warranty covers new products if a mechanical defect arises & a valid claim is received within the Ninety (90) Day Warranty Period. At its option, Jazwares, Inc. will either (1) repair the product at no charge, using new or refurbished replacement parts, or (2) exchange the product with a product that is new or which has been manufactured from new, or serviceable used parts & is at least functionally equivalent or most comparable to the original product in Jazwares, Inc.'s inventory, or (3) refund the original purchase price of the product.

Jazwares, Inc. warrants replacement products or parts provided under this warranty against defects in materials & workmanship from the date of the replacement or repair for ninety (90) days or for the remaining portion of the original product's warranty, whichever provides longer coverage for you. When a product or part is exchanged, any replacement item becomes your property and the replaced item becomes Jazwares, Inc. property. If a refund is granted, your product becomes Jazwares, Inc. property.

**Replacement product can only be sent if all warranty requirements are met.
Failure to follow all requirements can result in delay.**

WHAT IS NOT COVERED - EXCLUSIONS & LIMITATIONS

The limited warranty applies only to the products manufactured by or for Jazwares, Inc. that can be identified by the trademark, trade name, or logo affixed to it. This limited warranty does not apply to any non Jazwares, Inc. hardware product or any software, even if packaged or sold with the product. Non Jazwares, Inc. manufacturers, suppliers, or publishers may provide a separate warranty for their own products packaged with the bundled product. Jazwares, Inc. is not liable for any damage to or loss of any programs, data or other information stored on any media contained within the product, or any non - Jazwares, Inc. product or part not covered by this warranty.

Limited Ninety (90) Day Warranty:

WHAT IS NOT COVERED - EXCLUSIONS & LIMITATIONS

This warranty does not apply

- (a) to damage caused by accident, abuse, misuse, misapplication, or non - Jazwares, Inc. product,
- (b) to damage caused by service performed by anyone other than Jazwares, Inc.
- (c) to a product or a part that has been modified without the written permission of Jazwares, Inc.

LIMITED WARRANTY DOES NOT COVER

- Shipping charges to return defective product to Jazwares, Inc.
- Product repair and/or part replacement because of improper installation, connections to improper voltage supply, abuse, neglect, accident, unauthorized repair or other cause not within the control of Jazwares, Inc.
- Damage or claims for products not being available for use, or for lost data or lost software.
- Damage occurring to product during shipping.
- A product that requires modification or adaptation to enable it to operate in any country other than the country for which it was designed, manufactured approved and/or authorized, or repair of products damaged by these modifications.
- Product lost in shipment and no signature verification receipt can be provided.
- Failure to operate per Owner's Manual.

RMA REQUIREMENT

If Jazwares, Inc.'s Customer Service verifies that the product is defective, the Return Authorization Department will issue an RMA number to be placed on the outer package of the product. Jazwares, Inc. can not accept any product that does not include an RMA number on the package.

BEFORE RETURNING ANY PRODUCT, CONTACT JAZWARES, INC. CUSTOMER SERVICE. Customer service is available 9-6 EST at 1-800-370-1877.

REPAIR OR REPLACEMENT AS PROVIDED UNDER THIS WARRANTY IS THE EXCLUSIVE REMEDY FOR THE CONSUMER. JAZWARES, INC. SHALL NOT BE LIABLE FOR ANY INCIDENTAL OR CONSEQUENTIAL DAMAGES FOR BREACH OF ANY EXPRESS OR IMPLIED WARRANTY ON THIS PRODUCT. EXCEPT TO THE EXTENT PROHIBITED BY APPLICABLE LAW, ANY IMPLIED WARRANTY OF MERCHANTABILITY OR FITNESS FOR A PARTICULAR PURPOSE ON THIS PRODUCT IS LIMITED IN DURATION TO THE DURATION OF THIS WARRANTY.

Some states do not allow exclusions or limitation of incidental or consequential damages, or allow limitations on how long an implied warranty lasts, so the above limitations or exclusions may not apply to you

This warranty gives you specific legal rights. You may have other rights which vary from state to state. This warranty is only valid in the United States of America.

© Jazwares, Inc.

Alarm Clock

USER GUIDE

Jazwares Inc.
555 Sawgrass Corporate Parkway
Sunrise, FL 33325

© Jazwares, Inc. 2010

