

Please read the instructions along with the Perimeter Droids carefully before use, so that you can operate them properly.

Congratulations on your purchase of the Star Wars Perimeter Droids. To get the most out of your Perimeter Droids, please read this manual as it will explain how to properly operate this product.

Safety Tips

- Use this only as intended
- To prevent fire or shock hazard, do not expose this unit to rain or moisture
- Do not submerge the unit in any liquid
- Do not disassemble

NOTE: This product does not use a real laser. Unit operates with LED for safe operation.

WARNING:

All of the packaging such as tape, plastic sheets, wire ties, stickers, and tags are not part of this toy and should be discarded for your child's safety. Retain package for future reference as it contains important information.

Conforms to toy safety standards HR4040 (CPSIA) and ASTM F963

Battery Information

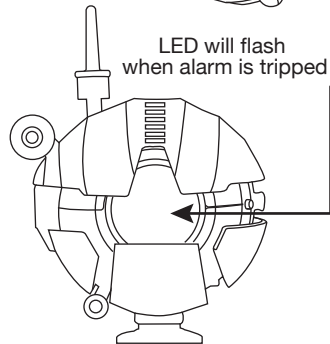
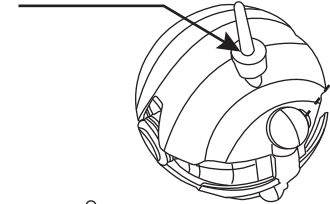
Requires 4 x AA 2 x AA for each ball batteries (not included)

BATTERY WARNING:

- Replacement of batteries must be done by an adult
 - Do not mix old and new batteries
 - Do not mix alkaline, standard (carbon-zinc) batteries or rechargeable (nickel-cadmium) batteries
 - non-rechargeable batteries are not to be recharged
 - rechargeable batteries are only to be charged under adult supervision
 - rechargeable batteries are to be removed from the toy before being charged
 - different types of batteries or new and used batteries are not to be mixed
 - batteries are to be inserted with the correct polarity
 - exhausted batteries are to be removed from the toy
 - the supply terminals are not to be short-circuited
 - Instructions for replacement of batteries
- Please retain the information for future reference.

IMPORTANT: Each droid must be perfectly aligned with the other or alarm will not sound.

Invisible beam of light
Break the Beam
& Alarm sounds



How It Works

Trip Wire Alarm projects an invisible beam of light between each of the two units. When some one or some thing breaks the beam, the alarm will sound and the LED will flash.

Troubleshooting

Why wont my Perimeter Droids recognize each other?

Make sure Droids are lined up properly. Transmitting droid and receiving droid must be facing each other. Units work best when placed no more than 1.5 meters apart in a well lighted area.

Why do my Perimeter Droids not turn on?

Make sure batteries are properly inserted in the battery compartment and are in good working condition.

Need More Help? Do Not Return Item to Store.

Call 1-800-370-1827 and speak to a customer service representative.

Battery Information

BATTERY OPERATION:

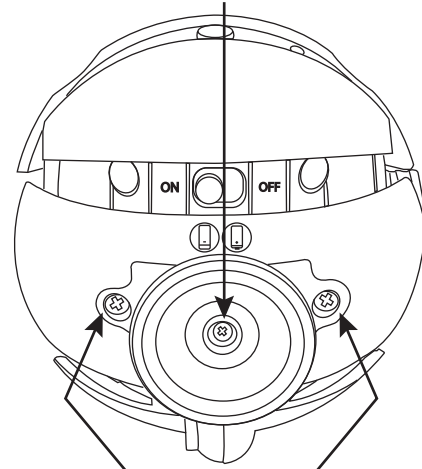
Remove the screws on the battery compartment door with a screw driver. Open battery door.

NOTE: Do not remove center stand screw

Insert 2 AA Batteries (not included) with correct polarity into the battery compartment. Close battery door and replace the screws.

NOTE: Apply battery instructions to each Perimeter Droid.

Do not remove center stand screw



Remove each screw on the battery door with a phillips style screw driver.

Requires 2 x 1.5 Volt (AA) Batteries (not included)

How to Set Up the Alarms

- Place the transmitter and receiver at the same level with 1.5 meters between each droid.
NOTE: Each droid must be perfectly aligned with the other or alarm will not sound.
- Turn on the power switch for both transmitter and receiver at the same time.
- When somebody or something goes between the droids and interrupts the signal, the receiver will sound an alarm and flash the LED for around five seconds.
- After the alarm is triggered, both transmitter and receiver will automatically enter sleep mode after 45 minutes.
- To re-set the Trip Wire Alarm, first you must turn off the power switches, then turn the unit on again and the product will resume to work.

Specifications

FCC Warning:

Any Changes or modifications not expressly approved by the party responsible for compliance could void the user's authority to operate the equipment.

This device complies with part 15 of the FCC Rules. Operation is subject to the following two conditions:
(1) This device may not cause harmful interference, and
(2) this device must accept any interference received, including interference that may cause undesired operation.

This equipment has been tested and found to comply with the limits for a Class B digital device, pursuant to Part 15 of the FCC rules.

These limits are designed to provide reasonable protection against harmful interference in a residential installation. This equipment generates, uses and can radiate radio frequency energy and, if not installed and used in accordance with the instructions, may cause harmful interference to radio communications.

Electronic Parameters:

Transmitter:

Operating voltage: 3V (AA x 2)

Operating current: <= 50 mA

Battery capacity: 1400mAh

Battery life (estimate): 28 hours

Receiver:

Operating voltage: 3V (AA x 2)

Operating current (w/o sound alarm & LED flash): 5 mA

Operating current (w/ sound alarm & LED flash): 100 mA

Battery capacity: 1400mAh

Battery life (w/o sound alarm & LED flash): 280 hours @ estimate

Battery life (w/ sound alarm & LED flash): 14 hours @ estimate

Battery Requirements: 4 x AA 2 x AA for each ball

IMPORTANT:

Please save this instruction sheet. It contains valuable product information.

Included in box:
• Perimeter Droids: Set of 2
• User Guide

USER GUIDE

© Jazwares, Inc. 2011

Ages
6+

Jazwares